



**INSTALLATION – MAINTENANCE MANUAL  
MEDIA CONTAINMENT UNIT BALL VALVES  
MCU1, MCU2, MCU3, MCU4**

**APPLICATION**

Flow-Tek media containment unit is designed to mount directly to Flow-Tek’s flange (F15/F30 /RF15) and 3PC 7000/8000 series valves.

**INSTALLATION**

**NOTE: Addition of an MCU may increase the valve operating torque by 30**

To install, remove valve handle or actuator, insure that the thin packing nut (stem nut) is retained by the locking washer (a washer with tab bent to contact one flat of the thin nut), place the supplied gasket (PTFE) into the machined groove on the top face of the valve mounting pad, place the MCU assembly over the valve stem, insure the valve stem engages the MCU stem slot and secure with the supplied lock washers and cap screws. Tighten evenly using a criss cross pattern. Reinstall the handle or actuator as it was removed.

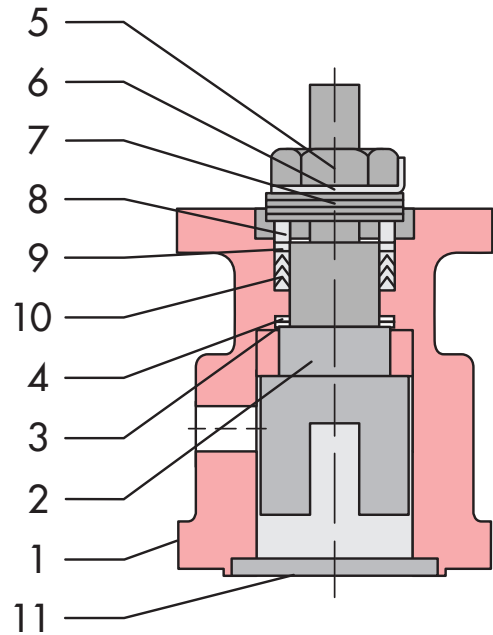
**OPERATION**

With V ring packings and 2 sets of bellvilles, need for adjustment is rare. The packing may be adjusted by flattening the stainless lock washer tab and tightening gently. Tighten carefully, avoid over squeezing the packing. Simply flatten the bellvilles, then back off 1/2 turn and re-secure the lock washer tab. Leakage of the primary valve stem seal can be reviewed through the monitoring port, a 1/4” NPT port on the MCU housing. A second port can be opened to allow purge or lubricate.

**MAINTENANCE**

Flow-Tek’s MCU repair kits contain all seals required to rebuild the units. The MCU must be removed from the valve for rebuilding. Follow stem packing adjustment instructions above when installing the new seals, bearings and packings.

Item	Description	Material	Qty.
1	Body Housing	A351 Gr CF8M	1
2	Stem	SS316	1
3	Washer Protector	PEEK	1
4	Thrust Washer	Tek-Fil	2
5	Gland Nut	SS304	1
6	Belleville Washer	SS301	2
7	Lock Washer	SS304	1
8	Packing Gland Sleeve	SS301	1
9	Packing Protector	PEEK	1
10	Stem Packing	TFM	1 Set
11	Gasket	TFM	1





**FlowTek**<sup>®</sup>  
A Subsidiary of BRAY INTERNATIONAL, Inc.

*Installation and Maintenance Manual  
Media Containment Ball Valves  
Date: August 2011 / Page 2 of 3*

---



**FlowTek**<sup>®</sup>  
A Subsidiary of BRAY INTERNATIONAL, Inc.

*Installation and Maintenance Manual  
Media Containment Ball Valves  
Date: August 2011 / Page 3 of 3*

---